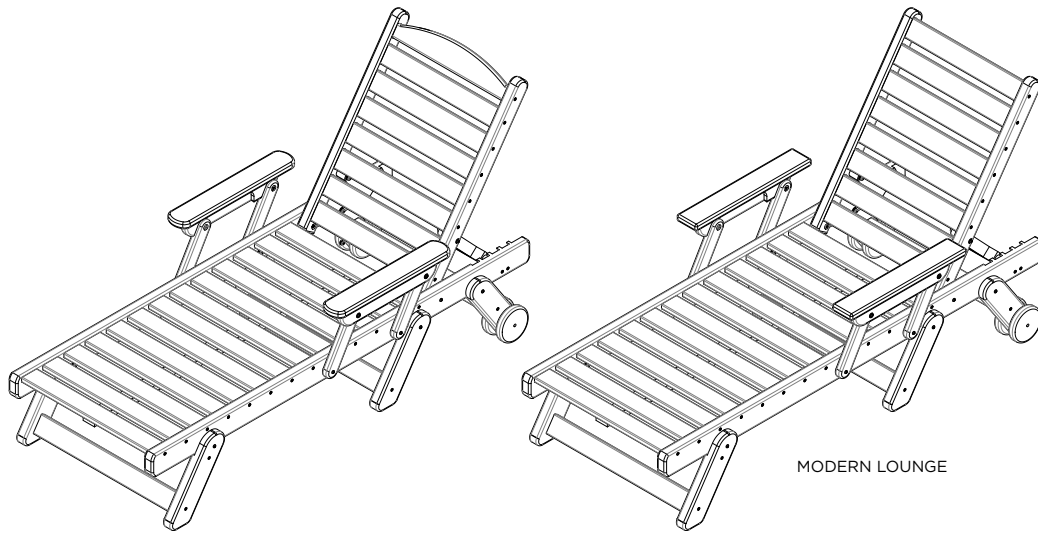
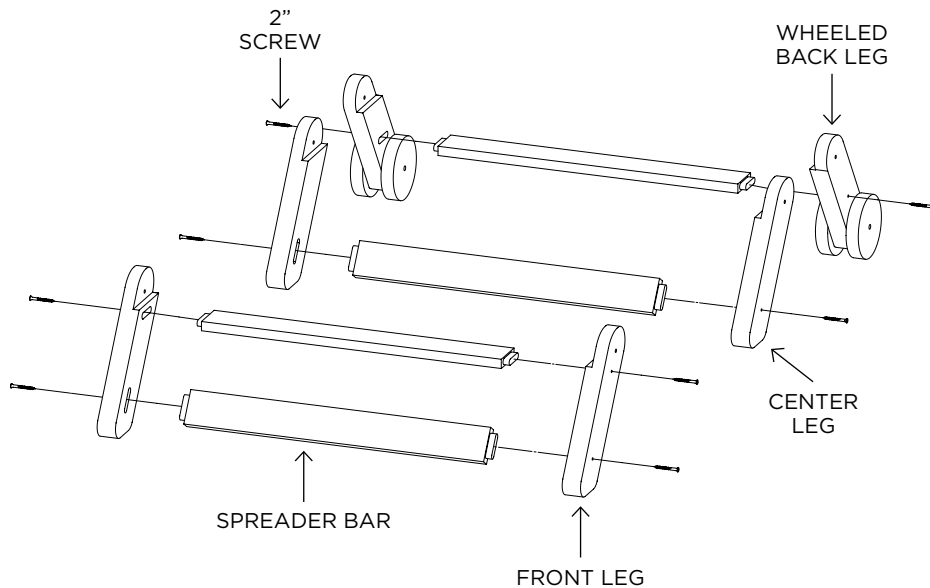


# CHAISE LOUNGE INSTRUCTIONS



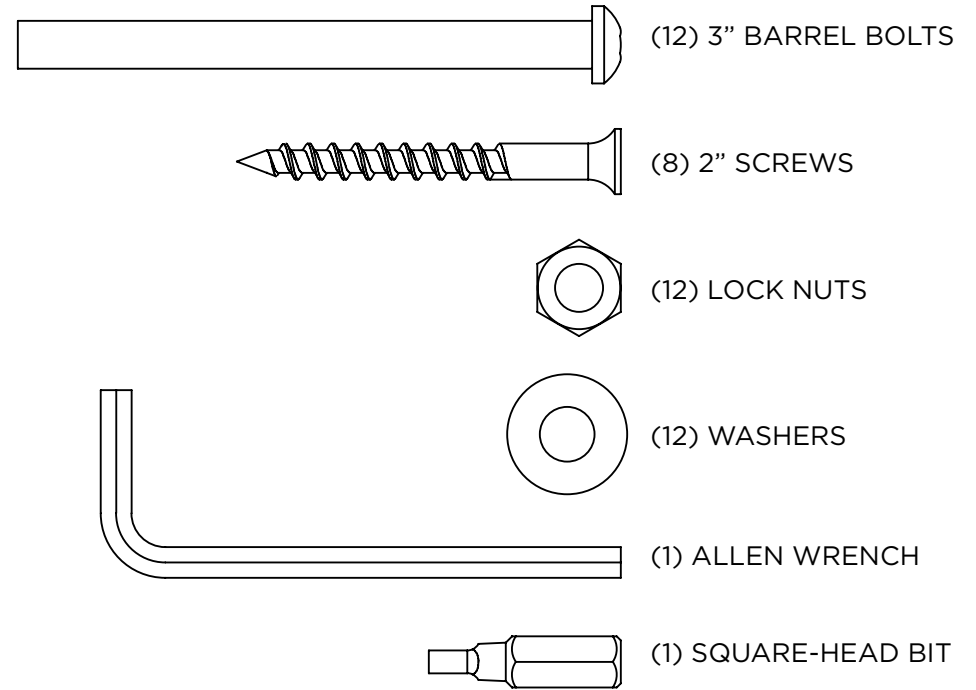
## ASSEMBLY

**STEP 1.** Use (8) 2" screws to attach spreader bars to front, center and wheeled back legs.



## HARDWARE PACK

Hardware Pack Weight: 10.81 oz.



## CHAIR PARTS

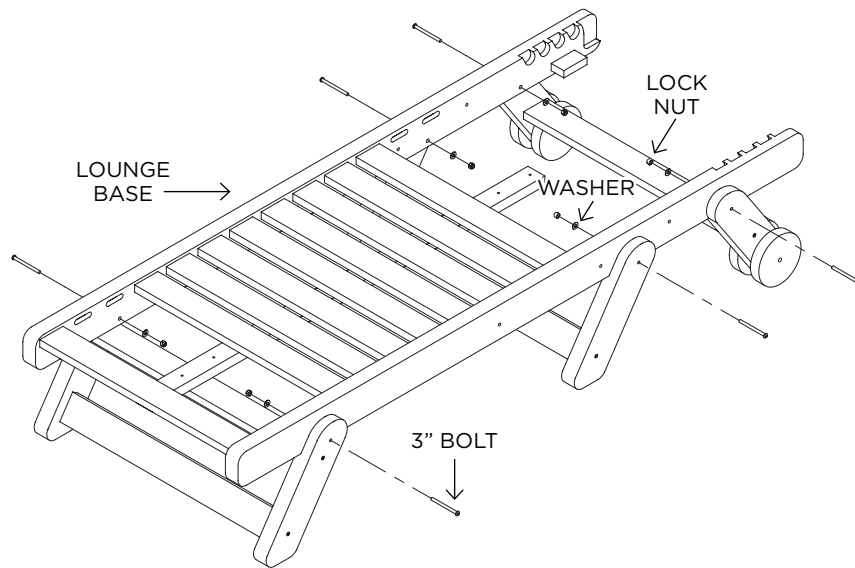
- SEAT BACK
- LOUNGE BASE
- (2) FRONT LEGS
- (2) CENTER LEGS
- (2) WHEELED BACK LEGS
- (2) ARM ASSEMBLIES
- (4) SPREADER BARS

## SUGGESTED TOOLS

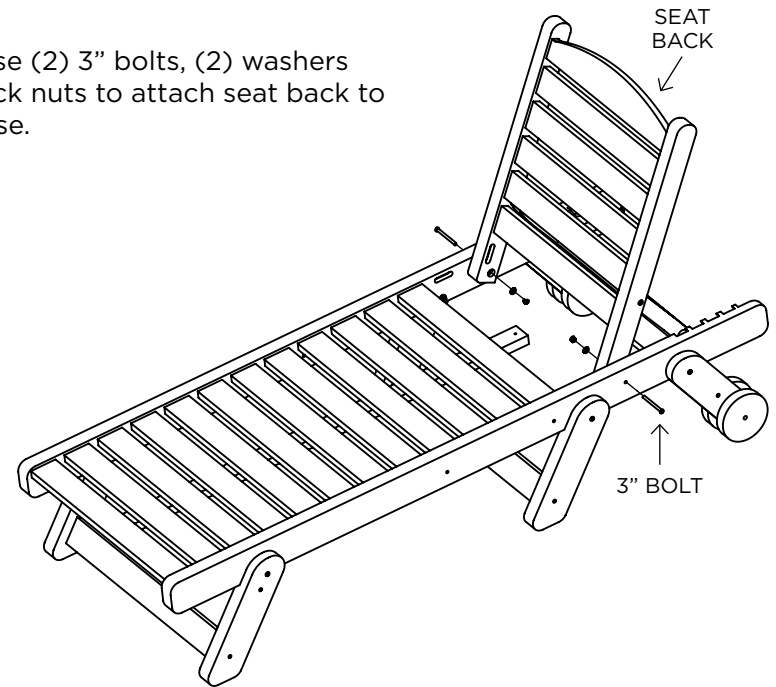
- RUBBER MALLET
- 7/16 SOCKET
- DRILL

## ASSEMBLY

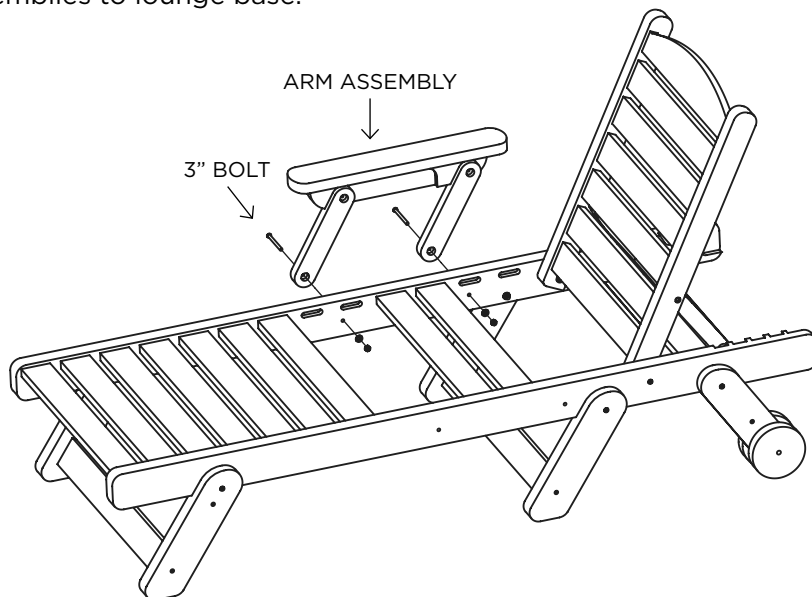
**STEP 2.** Use (6) 3" bolts, (6) washers and (6) lock nuts to attach lounge base to front, center and wheeled back legs.



**STEP 3.** Use (2) 3" bolts, (2) washers and (2) lock nuts to attach seat back to lounge base.



**STEP 4.** Use (4) 3" bolts, (4) washers and (4) lock nuts to attach arm assemblies to lounge base.



**Congratulations on purchasing this Durawood Chaise Lounge. QUESTIONS REGARDING THIS PRODUCT? Call our customer service team, 252-758-0641.**

**RESIDENTIAL WARRANTY** - This quality product includes a FULL LIFETIME WARRANTY for RESIDENTIAL CUSTOMERS. In the unlikely event any splintering, rotting, cracking, peeling, chipping, insect infestation or other damage should ever occur, The Hammock Source will replace this furniture, at no charge to you. Note that an original sales receipt must accompany any returned product, along with a Return Authorization Number from Hammock Source customer service; call toll-free at 252-758-0641.

**CONTRACTOR WARRANTY** - CONTRACTORS receive a FULL 7-YEAR WARRANTY. Follow the same steps outlined above.

**MAINTENANCE** - Thoroughly inspect product before each use. Periodically check bolts after assembly and re-tighten when necessary.