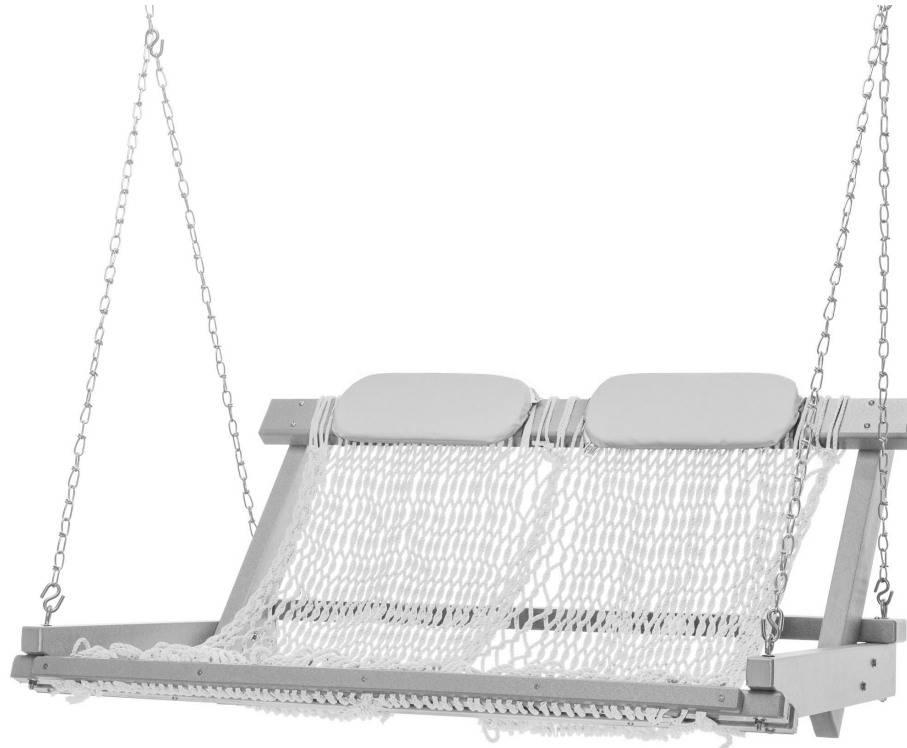


48" DOUBLE ROPE SWING INSTRUCTIONS



NOTE. Instructions not to scale.

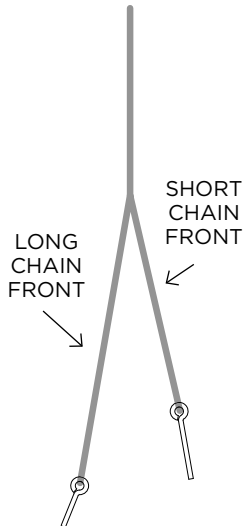
SUGGESTED TOOLS

- SOCKET WRENCH
- 7/16" x 1/4" DEEP SOCKET
- PHILLIPS HEAD SCREWDRIVER
- RUBBER MALLET

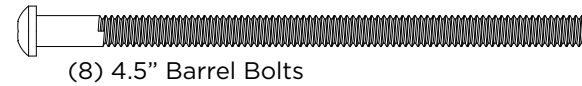
CHAIN SET

- CHAIN SETS: (2)
Eye Bolts, nuts, and washers attached

NOTE. Add chains after completing assembly.



HARDWARE PACK



(8) 4.5" Barrel Bolts

(2) Tree Hooks and chain sets



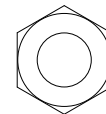
(4) 3.5" Hex Bolts



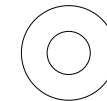
(1) Allen Wrench



(6) 1" Barrel Nuts



(6) Lock-nuts



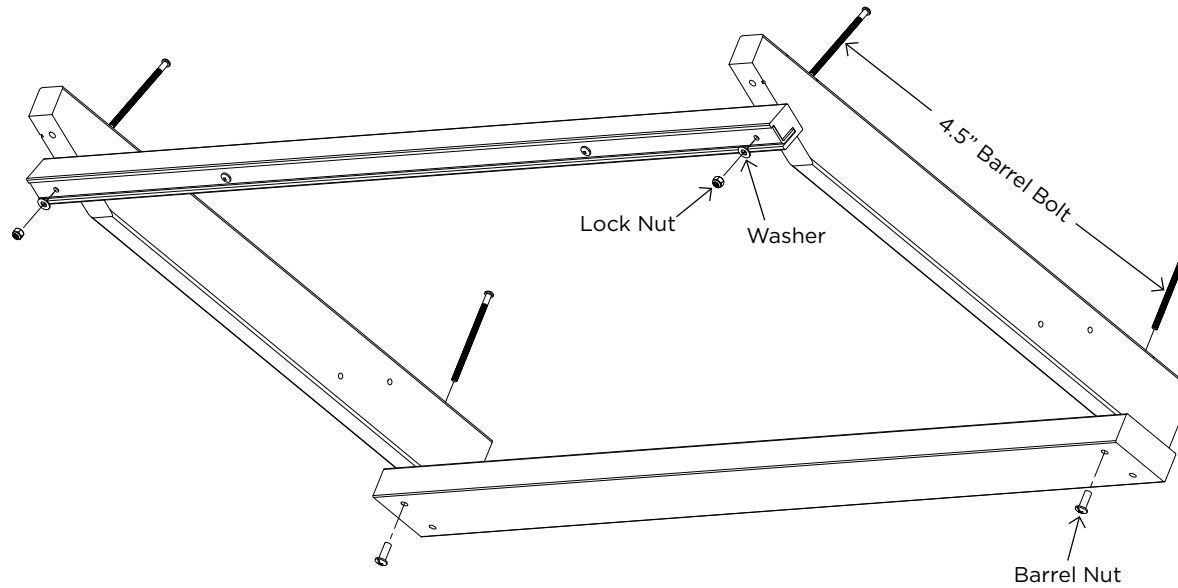
(10) Washers

Tip: When using a barrel bolt with a barrel nut, place the bolt into the barrel nut and gently turn it counter clockwise until you feel a slight click. Then proceed to turn the bolt clockwise to tighten the barrel nut onto the barrel bolt.

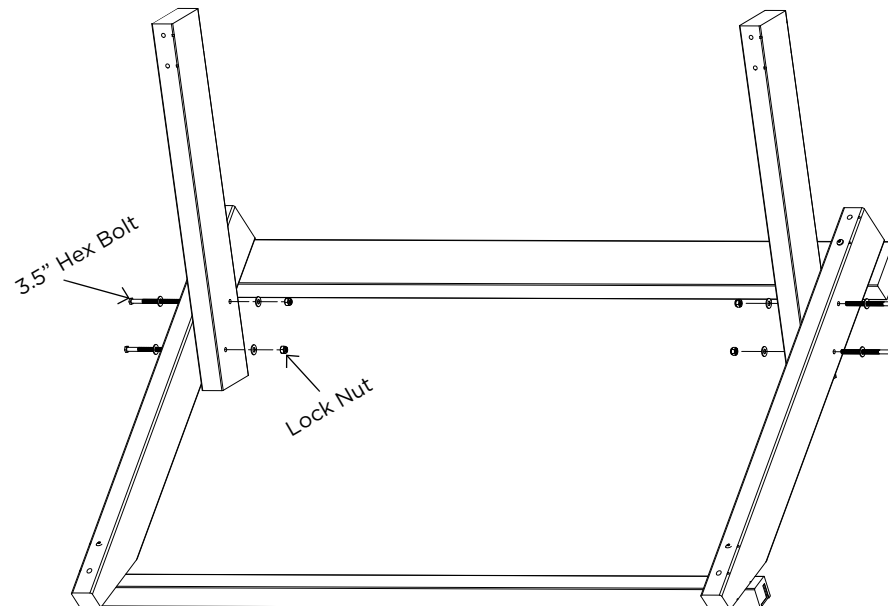
ASSEMBLY

STEP 1. Arrange 2 side frames approximately 48" apart. Using Front Cross support secure with (1) 4.5" Barrel Bolt through the hole with (1) washer, and (1) lock nut on each side. Align back Cross Support and secure with (1) 4.5" Barrel Bolt per side.

NOTE. Do **not** tighten bolts until Step 4.

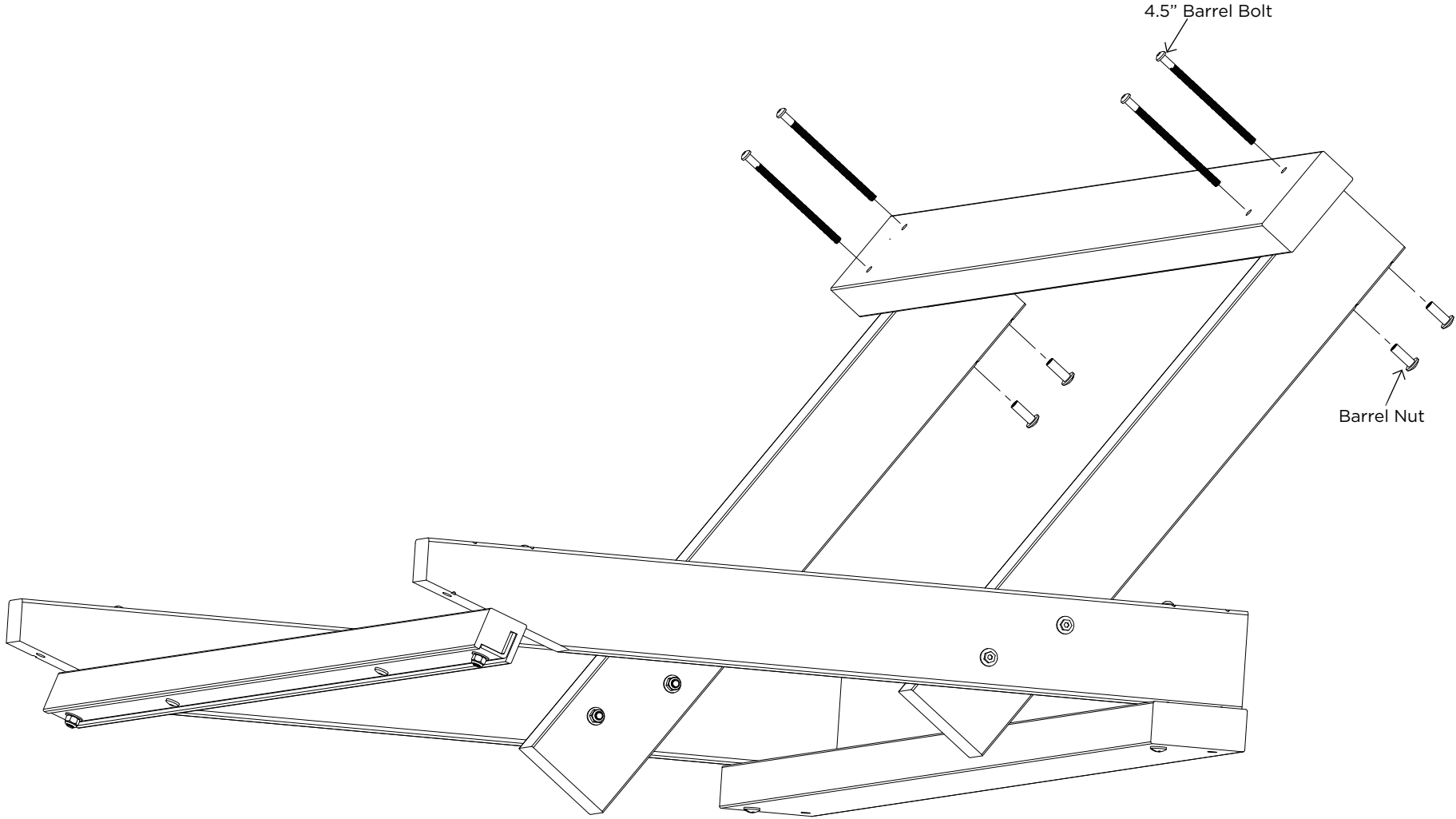


STEP 2. Position an upright as shown and secure it with (2) 3.5" Hex bolts, (2) lock nuts, and a washer on each side of the material. Repeat for the other side.



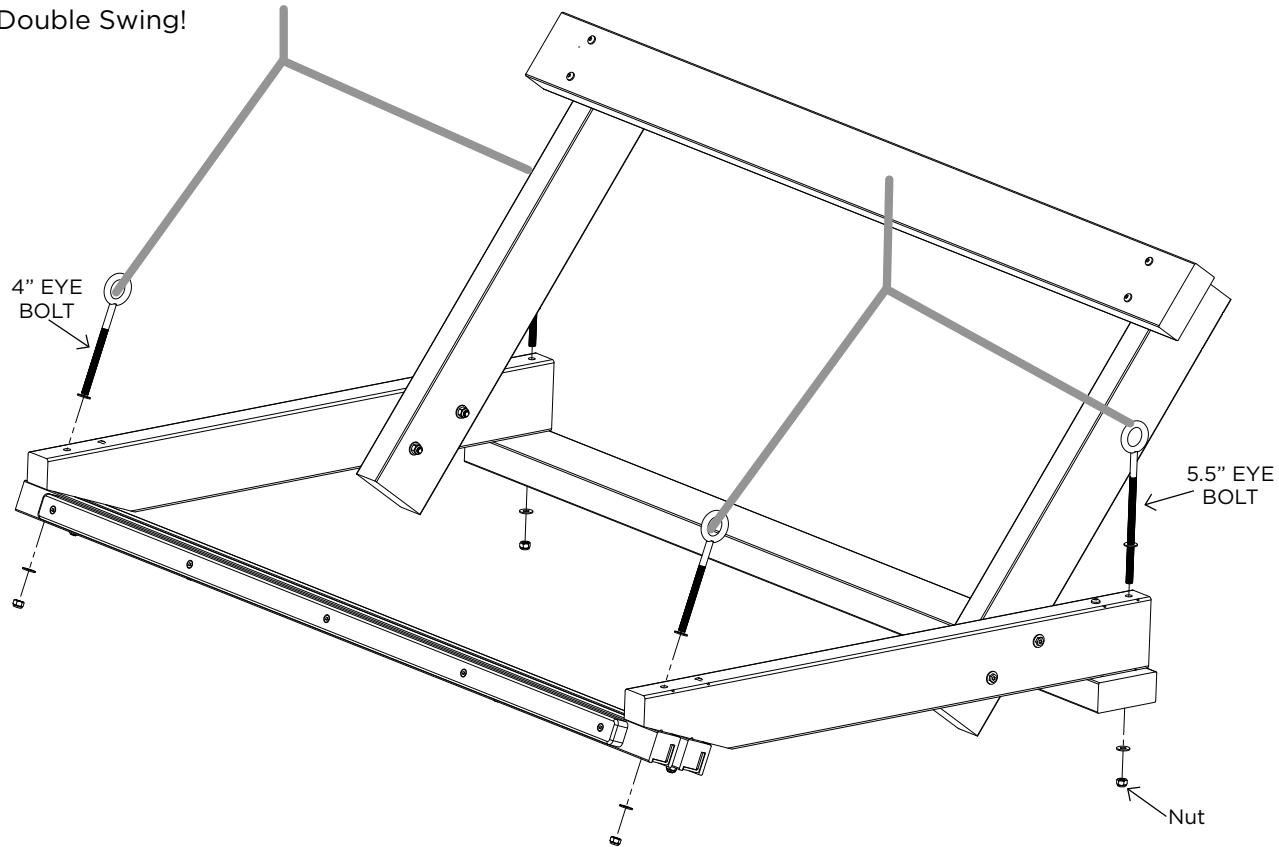
ASSEMBLY

STEP 3. Unroll Roll-up, use (4) 4.5" Barrel Bolts and (4) Barrel Nuts to attach frame to left and right supports, one side at a time.



STEP 4. Attach long bolt of Chain Assembly in the hole on the Left Side Frame, by first unscrewing the nut and removing 1 washer. Thread bolt with one washer through the frame and secure with washer and nut. Repeat for the right side, then repeat for the front using the front of the roll-up as shown. Make sure to tighten all bolts then hang the swing using the included tree hooks or two other properly installed hooks - spacing hooks approximately 48" apart.

Enjoy your new Nag's Head Double Swing!



Congratulations on purchasing this Original 48" Nag's Head Double Rope Porch Swing. QUESTIONS REGARDING THIS PRODUCT? Call our customer service team, 252-295-0405.

INSTALLATION - Get somebody to help you, some pieces are heavy and a second pair of hands is always helpful. Do not tighten bolts until the product is fully assembled. Some pieces are harder to fit in place and this will help. A hammer or rubber mallet is needed during assembly. Do not over-tighten the bolts or screws. Build your item close to where it will be used to eliminate difficulty in moving once completed. For a uniform look, face all nuts in the same direction.

MAINTENANCE - Great care has been put into manufacturing this item. However, it is made of high density resin and some natural aesthetic imperfections and dark spots are normal and should be expected. You can wash the wood and the rope using a hose and some bleach water. You can also brush the wood to help remove dirt.

Thoroughly inspect product before each use. Periodically check bolts after assembly and re-tighten when necessary.

WARRANTY & RETURNS - Our Coastal Collections products are guaranteed to be free of defects in both workmanship and material. The Durawood Frame is backed by a limited lifetime warranty. In the unlikely event that any splintering, rotting, cracking, peeling, or chipping should ever occur on The Hammock Source will supply replacement parts, at no charge to you. This does not include negligence, improper use, animal damage or damage caused by natural disasters. Our Duracord Rope components are guaranteed free of defects in workmanship and materials for up to one year from the date of purchase. Prolonged exposure of the rope components to weather conditions including snow, rain, and humidity are not covered under the warranty, nor is damage caused by normal wear, mildew, or improper care, including storage, maintenance, and assembly. When using around fire, keep furniture at a minimum distance of 30 inches from the heat source. Prevent prolonged exposure to chlorinated water. Note that an original sales receipt must accompany any returned product, along with a Return Authorization Number from Nags Head Hammocks customer service; call (252) 295-0405.

