

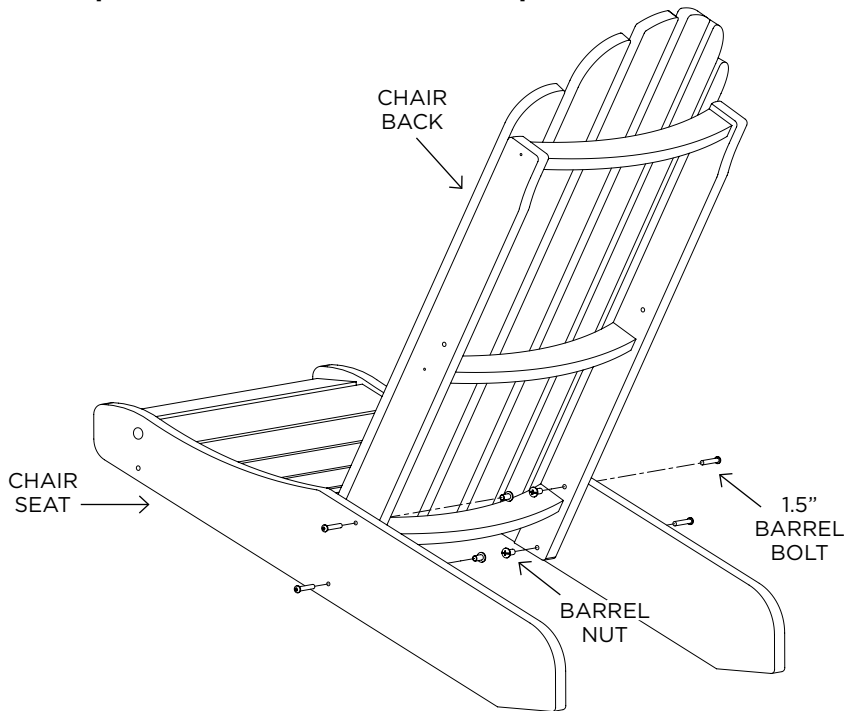
# ADIRONDACK CHAIR INSTRUCTIONS

Sunrise chair back different than shown.



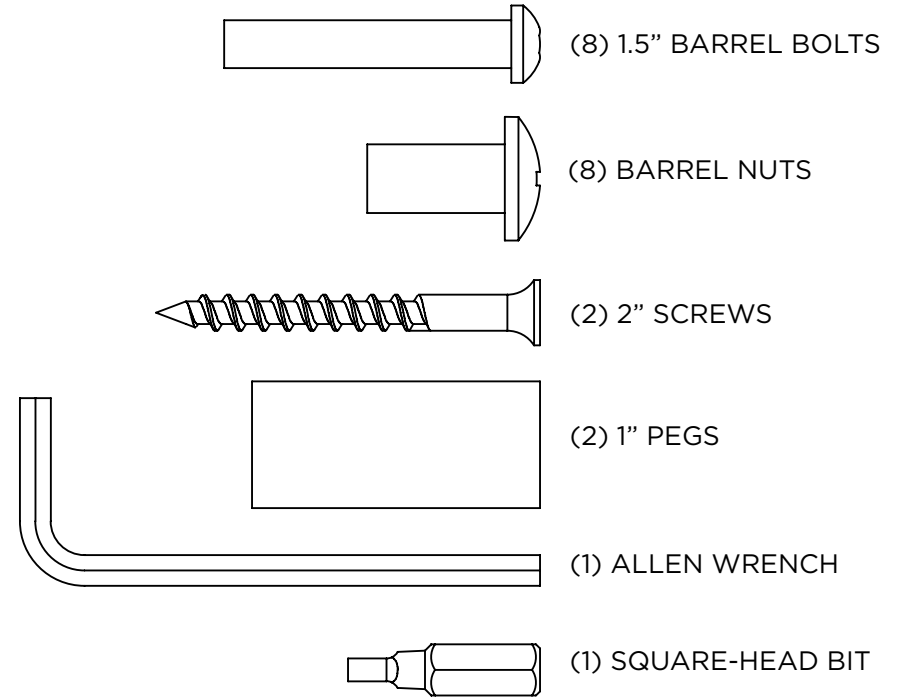
## ASSEMBLY

**STEP 1.** Use (4) 1.5" barrel bolts to attach chair back to chair seat. **Keep all barrel bolts loose until Step 3.**



## HARDWARE PACK

Hardware Pack Weight: 5.8 oz.



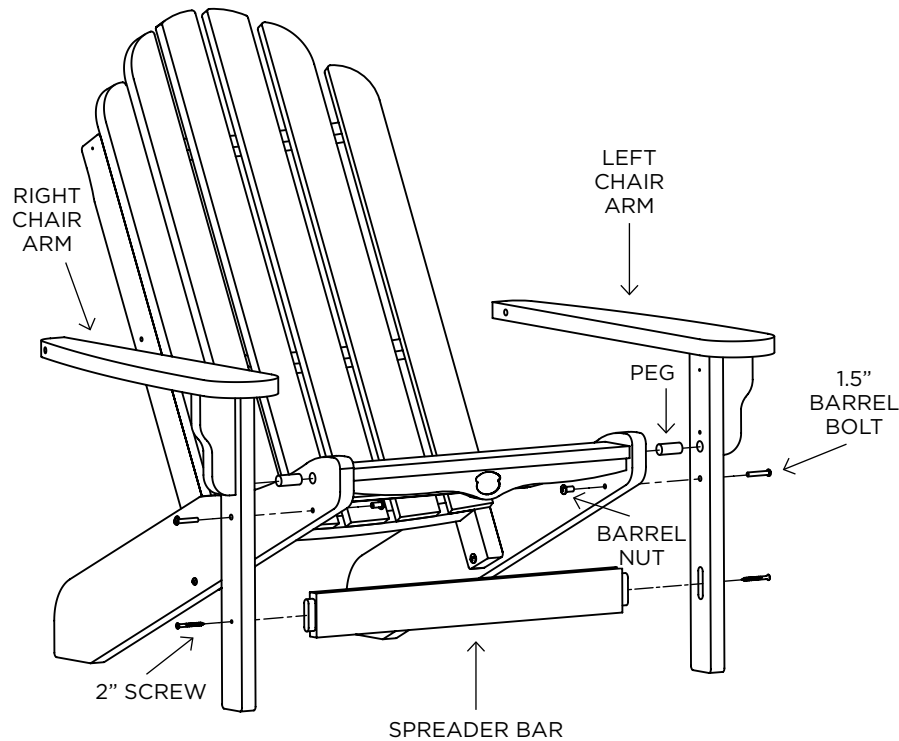
## CHAIR PARTS

- CHAIR BACK
- CHAIR SEAT
- LEFT CHAIR ARM
- RIGHT CHAIR ARM
- SPREADER BAR

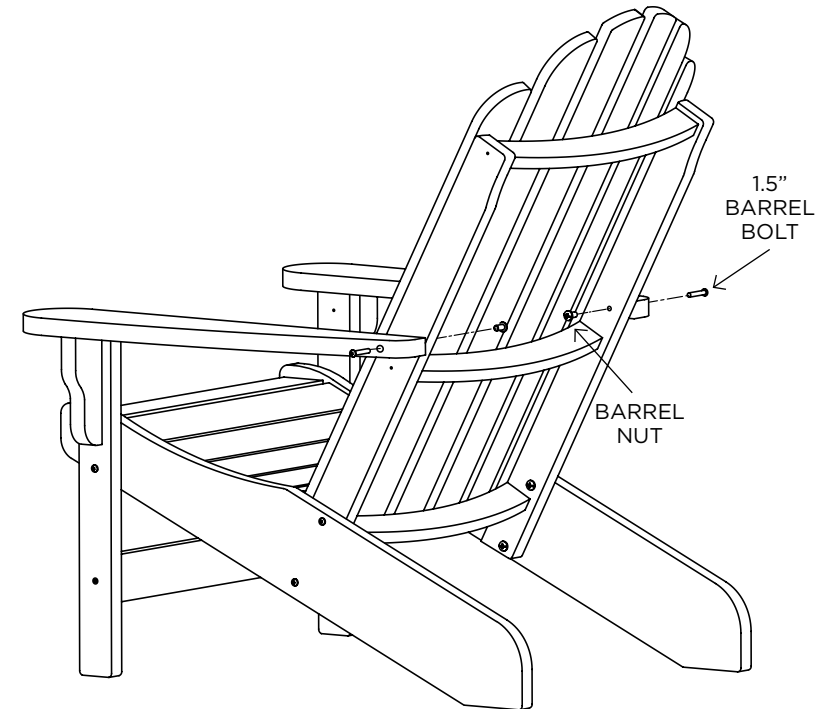
## SUGGESTED TOOLS

- RUBBER MALLET
- PHILLIPS HEAD SCREWDRIVER
- DRILL

**STEP 2.** Use (2) 1.5" barrel bolts, (2) barrel nuts, (2) pegs and (2) 2" screws to attach right & left chair arm to chair seat and spreader bar. **Keep all barrel bolts loose until Step 3.**



**STEP 3.** Use (2) 1.5" barrel bolts and (2) barrel nuts to attach right & left chair arm to chair back. Tighten all bolts.



**Congratulations on purchasing this Durawood Sunrise/Essentials Adirondack Chair. QUESTIONS REGARDING THIS PRODUCT? Call our customer service team, 252-758-0641.**

**RESIDENTIAL WARRANTY** - This quality product includes a LIMITED LIFETIME WARRANTY for RESIDENTIAL CUSTOMERS. In the unlikely event any splintering, rotting, cracking, peeling, or chipping should ever occur, The Hammock Source will supply replacement parts or replace the furniture, at no charge to you. This does not include negligence, improper use, animal damage or damage caused by natural disasters. When using around fire, keep furniture at a minimum distance of 30 inches from the heat source. Prevent prolonged exposure to chlorinated water. Note that an original sales receipt must accompany any returned product, along with a Return Authorization Number from Hammock Source customer service; call toll-free at 252-758-0641.

**CONTRACTOR WARRANTY** - CONTRACTORS receive a LIMITED 7-YEAR WARRANTY. Follow the same steps outlined above.

**MAINTENANCE** - Thoroughly inspect product before each use. Periodically check bolts after assembly and re-tighten when necessary.

