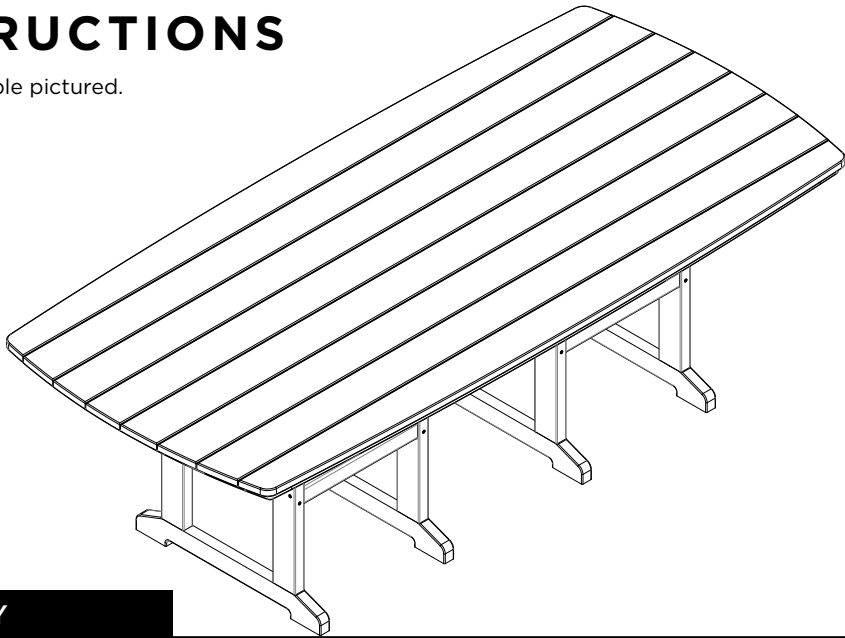


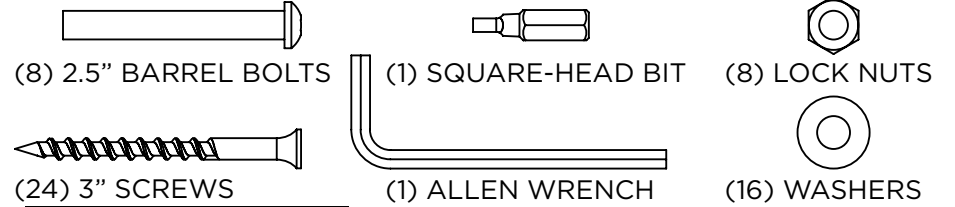
# 96" & 120" DINING TABLE INSTRUCTIONS

96" Dining Table pictured.



## HARDWARE PACK

Hardware Pack Weight: 11.4 oz.



## TABLE PARTS

- (4) LEG ASSEMBLIES
- (4) FASCIA PLATES
- (4) SPREADER BARS
- (1) TABLE TOP

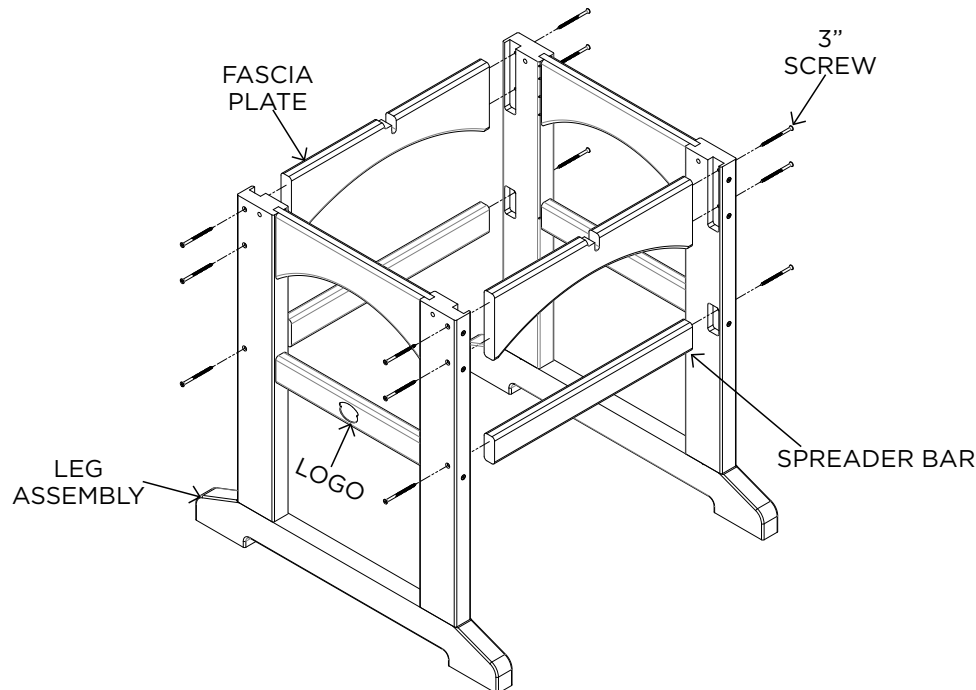
## SUGGESTED TOOLS

- ADJUSTABLE WRENCH
- DRILL

## ASSEMBLY

**STEP 1.** Use (12) 3" screws to attach fascia plates and spreaders to leg assemblies, repeat.

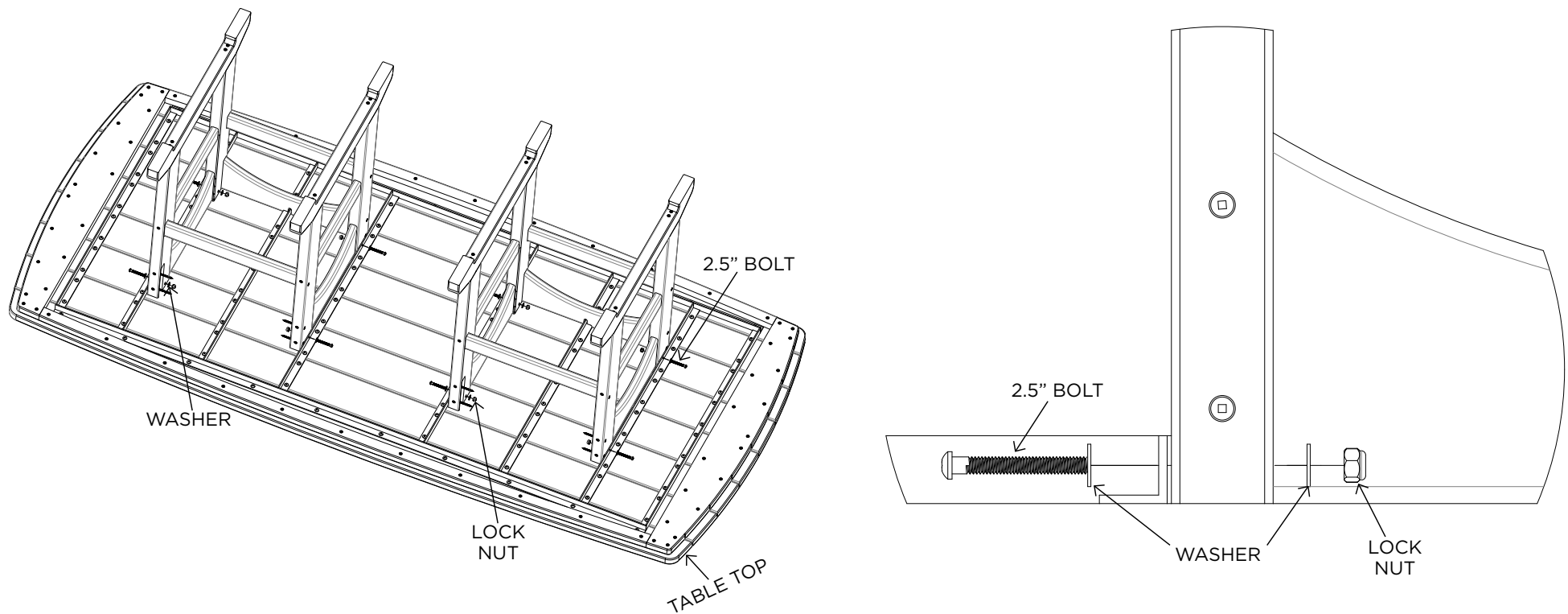
**Note:** One Leg Assembly has a spreader with a logo, orient the Fascia Plate notches accordingly to have the logo facing outwards when assembled. The orientation shown below should be correct, check frame under the table top to confirm before assembly.



**STEP 2.** Use (8) 2.5" bolts, (16) washers and (8) lock nuts to attach leg structure to table top. Make sure to use two washers per bolt, one for the bolt head and one for the locknut.

**Refer to detailed image for hardware order.**

**NOTE:** Parts hidden for visibility



**Congratulations on purchasing this Durawood 96" or 120" Dining Table. QUESTIONS REGARDING THIS PRODUCT? Call our customer service team, 252-758-0641.**

**RESIDENTIAL WARRANTY** - This quality product includes a LIMITED LIFETIME WARRANTY for RESIDENTIAL CUSTOMERS. In the unlikely event any splintering, rotting, cracking, peeling, or chipping should ever occur, The Hammock Source will supply replacement parts or replace the furniture, at no charge to you. This does not include negligence, improper use, animal damage or damage caused by natural disasters. When using around fire, keep furniture at a minimum distance of 30 inches from the heat source. Prevent prolonged exposure to chlorinated water. Note that an original sales receipt must accompany any returned product, along with a Return Authorization Number from Hammock Source customer service; call toll-free at 252-758-0641.

**CONTRACTOR WARRANTY** - CONTRACTORS receive a LIMITED 7-YEAR WARRANTY. Follow the same steps outlined above.

**MAINTENANCE** - Thoroughly inspect product before each use. Periodically check bolts after assembly and re-tighten when necessary.

