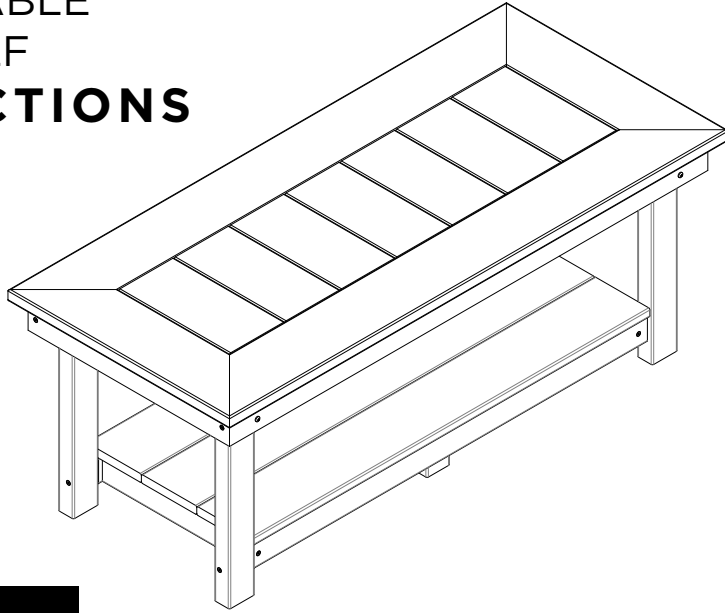
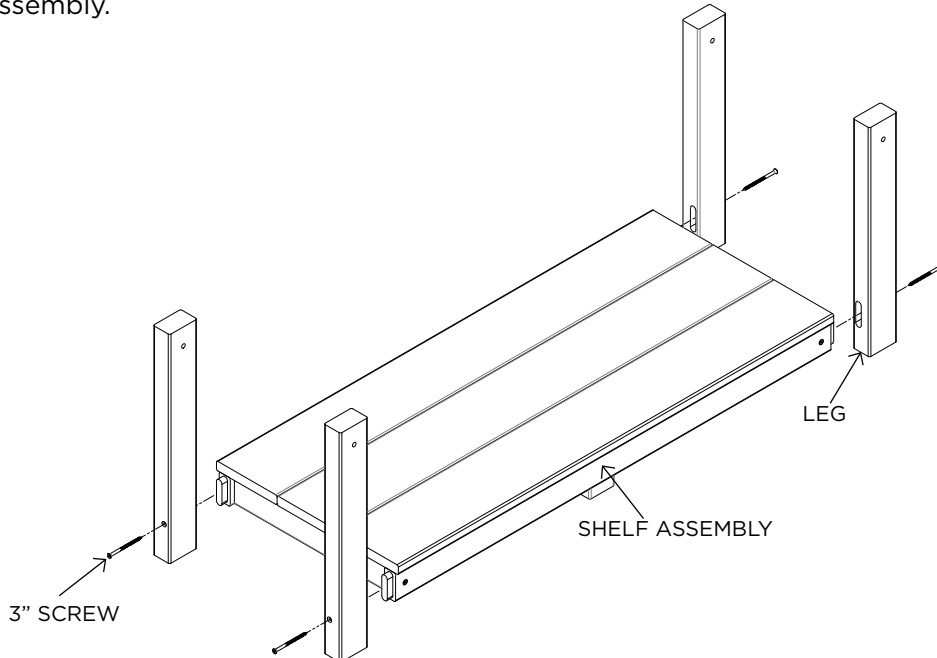


# DEEP SEATING COFFEE TABLE WITH SHELF INSTRUCTIONS



## ASSEMBLY

**STEP 1.** Using (4) 3" Screws attach the Left and Right Legs to the Shelf Assembly. Make sure the slot in the leg is to the middle of the shelf assembly.



## COMPONENTS

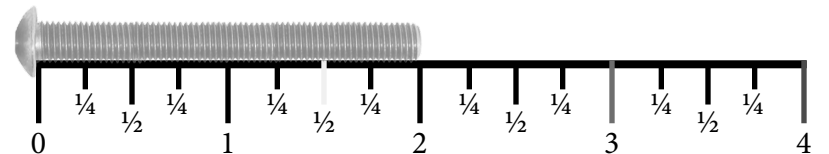
- Table Top
- (2) Left Legs
- (2) Right Legs
- (1) Shelf Assembly
- Hardware Pack

## HARDWARE PACK

- (4) 4" Barrel Bolts
- (4) 3" Screws
- (4) Lock nuts
- (4) Washers
- (1) Allen Wrench
- (1) Square Head Bit

## SUGGESTED TOOLS

- Drill
- 7/16 Wrench

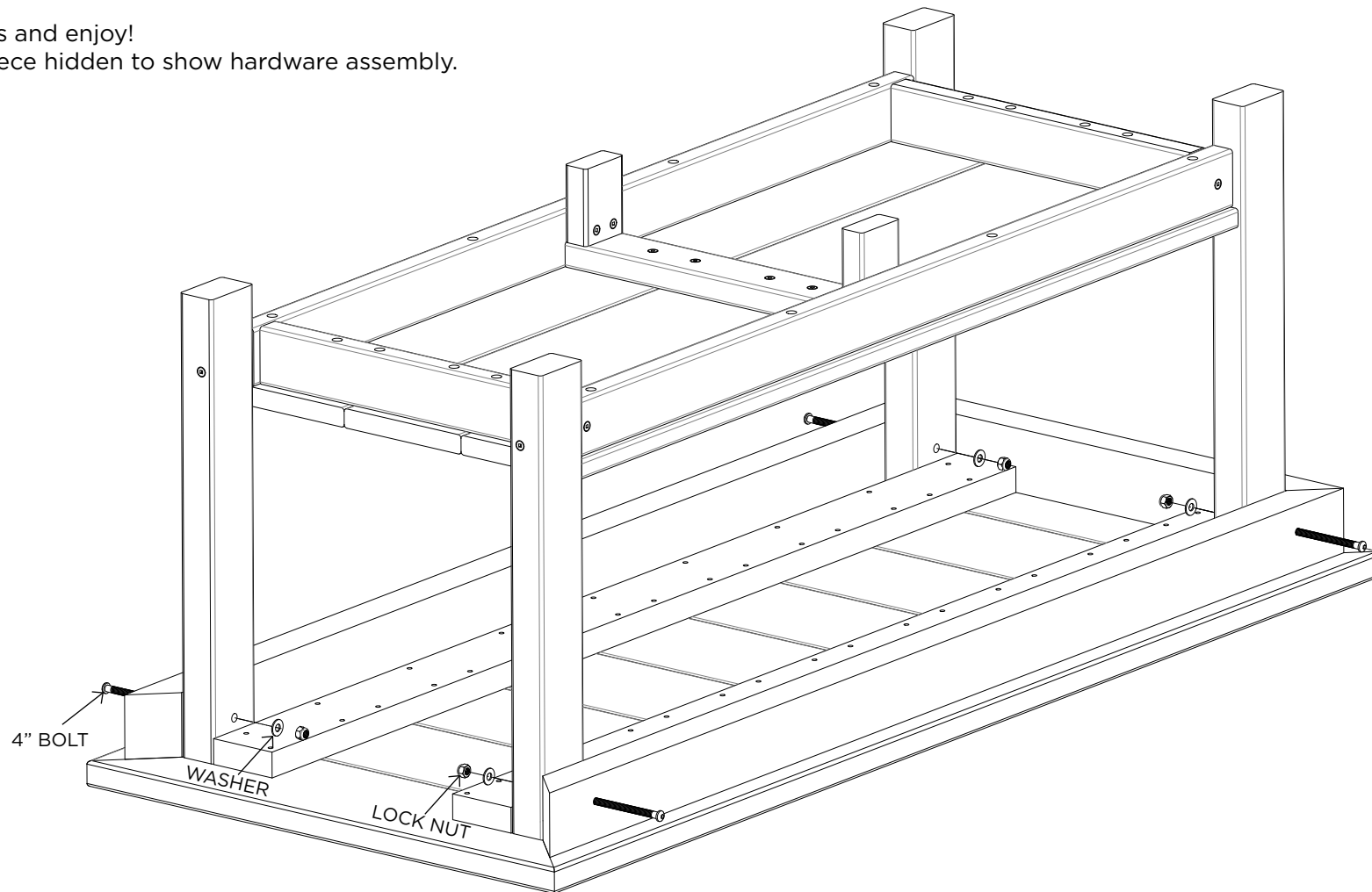


## ASSEMBLY CONT.

**STEP 2.** Flip Table Top over and use (4) 4" Bolts, (4) Washers, and (4) Lock nuts to attach Table Top to the Leg Assembly.

Tighten all bolts and enjoy!

**Note:** Frame piece hidden to show hardware assembly.



**Congratulations on purchasing this Deep Seating Furniture. QUESTIONS REGARDING THIS PRODUCT? Call our customer service team, 252-758-0641.**

**RESIDENTIAL WARRANTY** - This quality product includes a LIMITED LIFETIME WARRANTY for RESIDENTIAL CUSTOMERS. In the unlikely event any splintering, rotting, cracking, peeling, or chipping should ever occur, The Hammock Source will supply replacement parts or replace the furniture, at no charge to you. This does not include negligence, improper use, animal damage or damage caused by natural disasters. When using around fire, keep furniture at a minimum distance of 30 inches from the heat source. Prevent prolonged exposure to chlorinated water. Note that an original sales receipt must accompany any returned product, along with a Return Authorization Number from Hammock Source customer service; call toll-free at 252-758-0641.

**CONTRACTOR WARRANTY** - CONTRACTORS receive a LIMITED 7-YEAR WARRANTY. Follow the same steps outlined above.

**MAINTENANCE** - Thoroughly inspect product before each use. Periodically check bolts after assembly and re-tighten when necessary.

