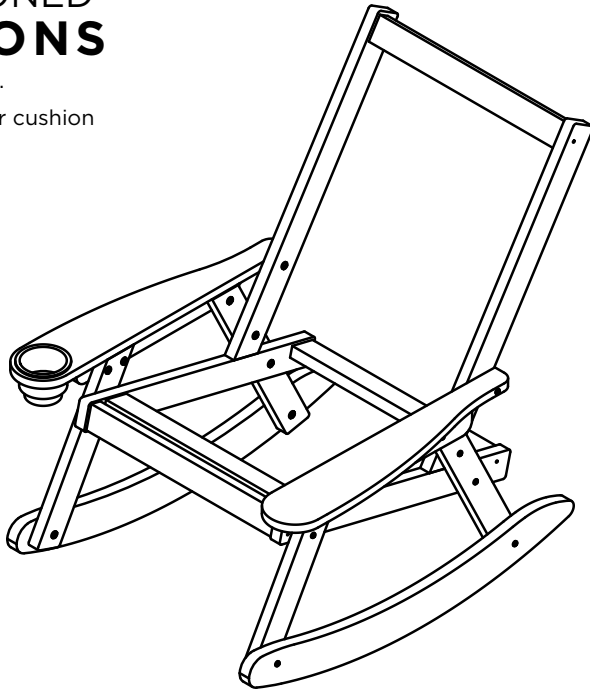


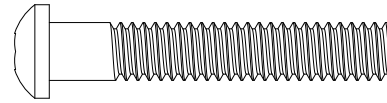
COASTAL COLLECTION ROCKER ROPE OR CUSHIONED INSTRUCTIONS

NOTE. Instructions not to scale.

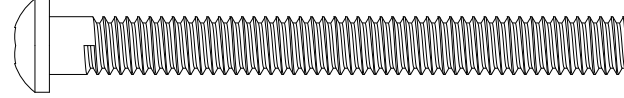
Example does not show rope or cushion



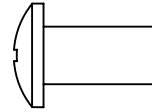
HARDWARE PACK



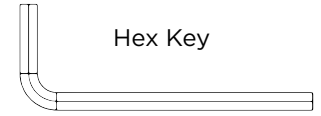
(16) 1.5" BARREL BOLTS



(2) 2.5" BARREL BOLTS



(18) BARREL NUTS



Hex Key

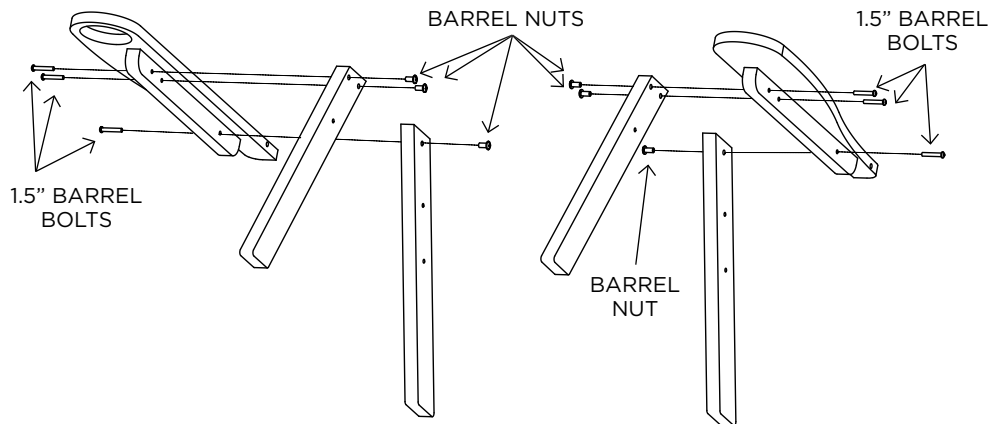
SUGGESTED TOOLS

- RUBBER MALLET
- PHILLIPS HEAD SCREWDRIVER

ASSEMBLY

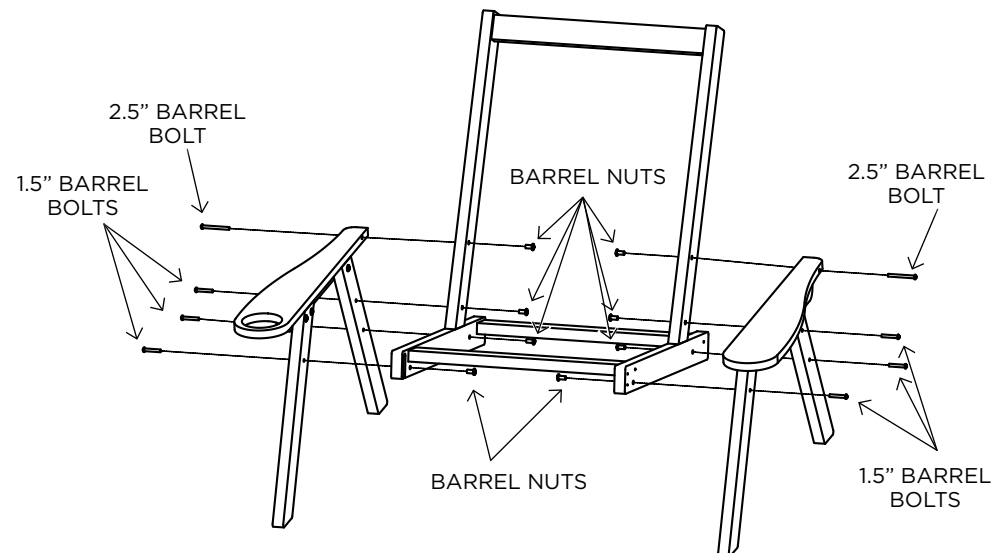
STEP 1. Use (6) 1.5" barrel bolts and (6) barrel nuts to attach arm assemblies to rear and front arm support.

NOTE. Do **not** tighten bolts until step 3.



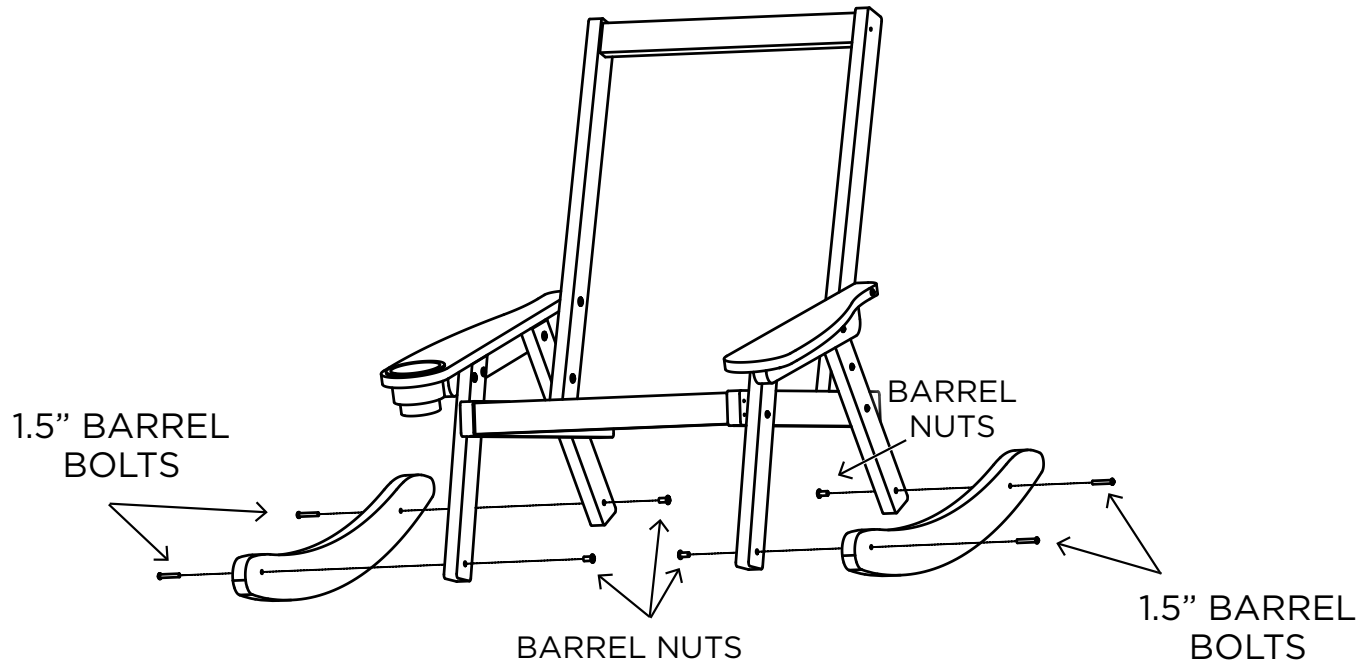
STEP 2. Use (2) 2.5" barrel bolts, (6) 1.5" barrel bolts, and (8) barrel nuts to attach arm assemblies & supports to inside of chair frame.

NOTE. Do **not** tighten bolts until step 3.



ROCKER ASSEMBLY

STEP 3. Use (4) 1.5" barrel bolts and (4) barrel nuts to attach rockers to legs.
Tighten all bolts.



Congratulations on purchasing this Coastal Collection Rocker with Rope or Cushion.
QUESTIONS REGARDING THIS PRODUCT? Call our customer service team, 252-295-0405.

WARRANTY & RETURNS - Our Coastal Collections products are guaranteed to be free of defects in both workmanship and material. The Durawood Frame is backed by a limited lifetime warranty. In the unlikely event that any splintering, rotting, cracking, peeling, or chipping should ever occur on The Hammock Source will supply replacement parts, at no charge to you. This does not include negligence, improper use, animal damage or damage caused by natural disasters. Our Duracord Rope components are guaranteed free of defects in workmanship and materials for up to one year from the date of purchase. Prolonged exposure of the rope components to weather conditions including snow, rain, and humidity are not covered under the warranty, nor is damage caused by normal wear, mildew, or improper care, including storage, maintenance, and assembly. When using around fire, keep furniture at a minimum distance of 30 inches from the heat source. Prevent prolonged exposure to chlorinated water. Note that an original sales receipt must accompany any returned product, along with a Return Authorization Number from The Pawley's Island Hammocks customer service; call toll 252-758-0641.

MAINTENANCE - Thoroughly inspect product before each use. Periodically check bolts after assembly and re-tighten when necessary.

