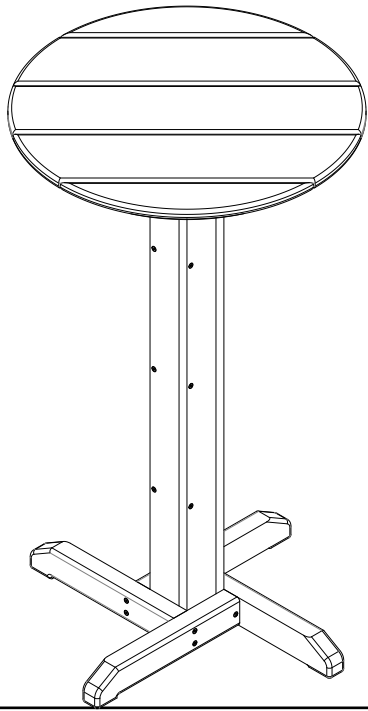
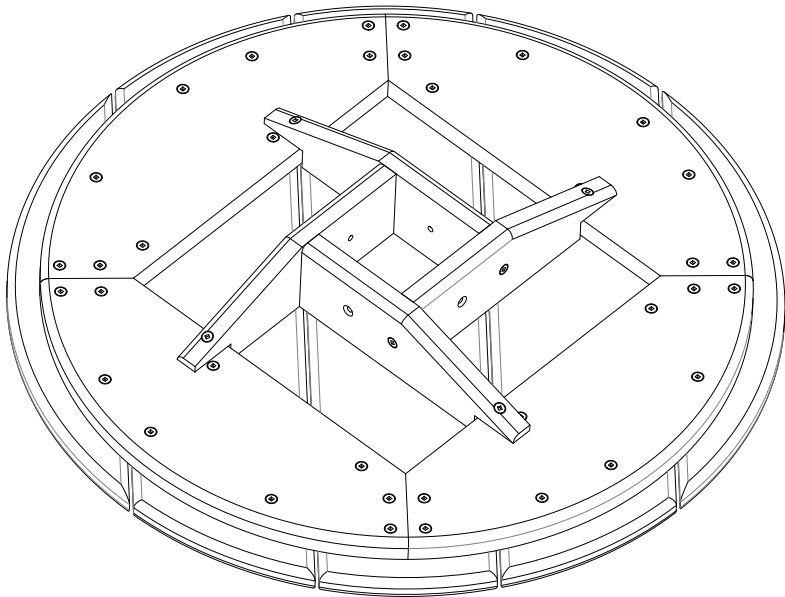


BISTRO TABLE INSTRUCTIONS



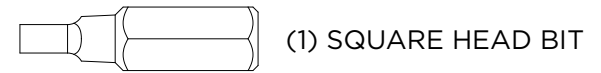
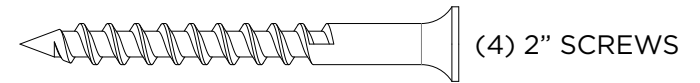
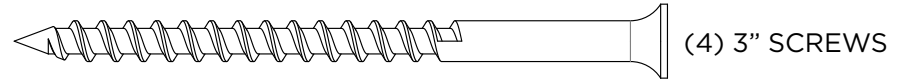
ASSEMBLY

STEP 1. Find some padding to place on the floor and flip the table top upside down onto the padding.
Padding is used to prevent scratching



HARDWARE PACK

Hardware Pack Weight : 2.2 oz.



CHAIR PARTS

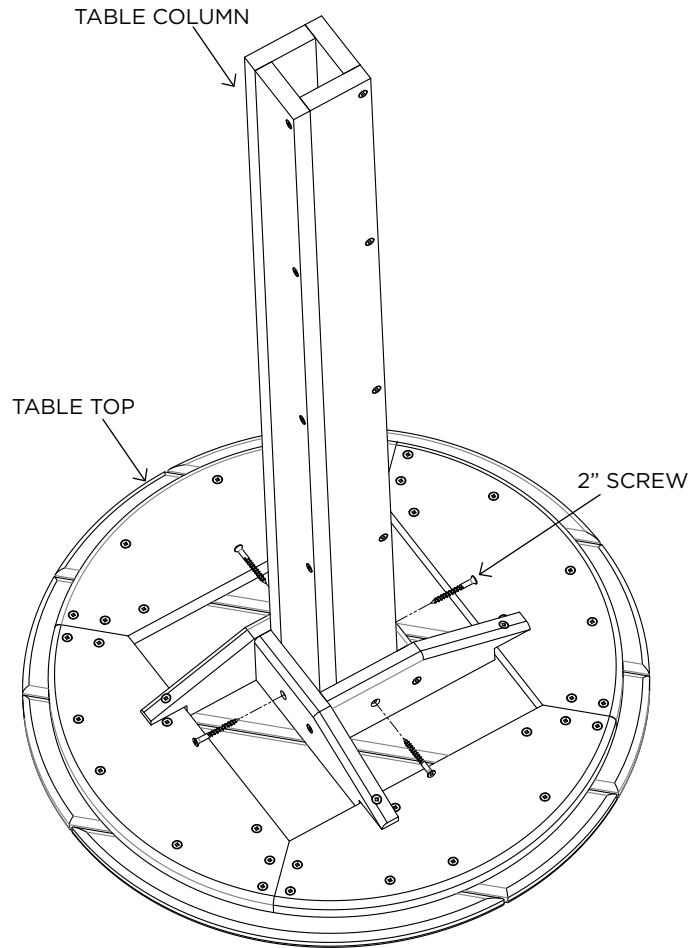
- TABLE TOP
- TABLE COLUMN
- TABLE BASE

SUGGESTED TOOLS

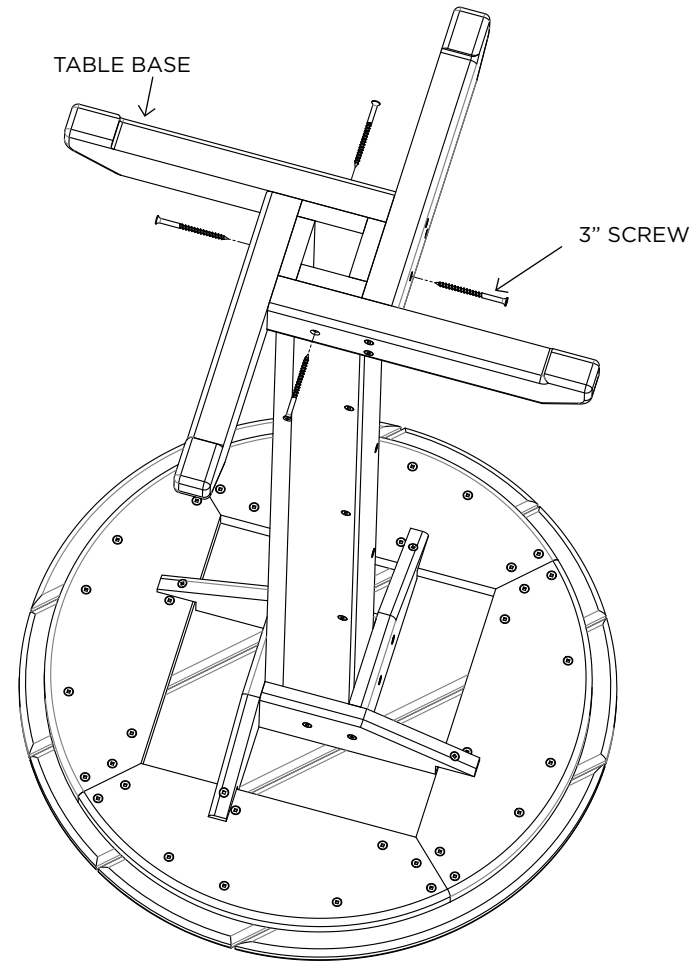
- RUBBER MALLET
- DRILL

ASSEMBLY

STEP 2. Place the column in the slot between the table top's frame, use (4) 2" Screws to secure the column to the table top using the pre-drilled holes.



STEP 3. Place Table Base on top of the column until the base is flush with the column, use (4) 3" screws to secure the base to the column using pre-drilled holes. Once all screws are fully tightened flip table upright and enjoy!



Congratulations on purchasing this Bistro Bar Table. QUESTIONS REGARDING THIS PRODUCT? Call our customer service team, 252-758-0641.

RESIDENTIAL WARRANTY - This quality product includes a LIMITED LIFETIME WARRANTY for RESIDENTIAL CUSTOMERS. In the unlikely event any splintering, rotting, cracking, peeling, or chipping should ever occur, The Hammock Source will supply replacement parts or replace the furniture, at no charge to you. This does not include negligence, improper use, animal damage or damage caused by natural disasters. When using around fire, keep furniture at a minimum distance of 30 inches from the heat source. Prevent prolonged exposure to chlorinated water. Note that an original sales receipt must accompany any returned product, along with a Return Authorization Number from Hammock Source customer service; call toll-free at 252-758-0641.

CONTRACTOR WARRANTY - CONTRACTORS receive a LIMITED 7-YEAR WARRANTY. Follow the same steps outlined above.

MAINTENANCE - Thoroughly inspect product before each use.

