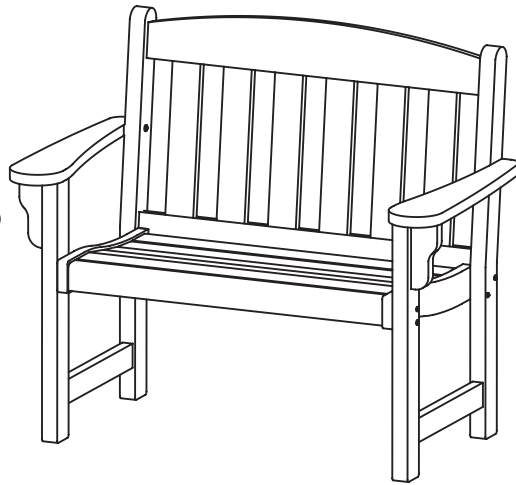
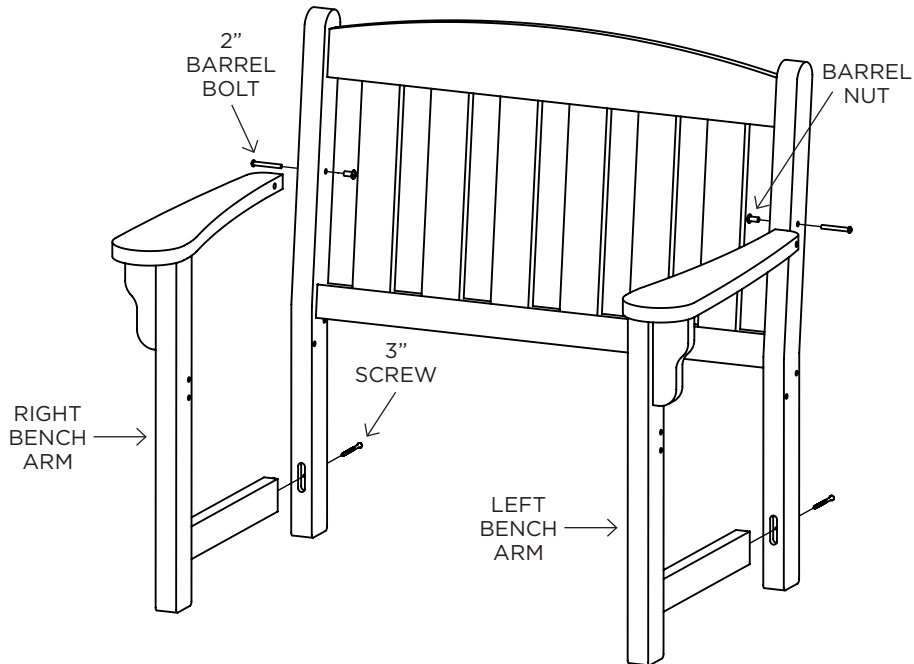


GARDEN BENCH INSTRUCTIONS



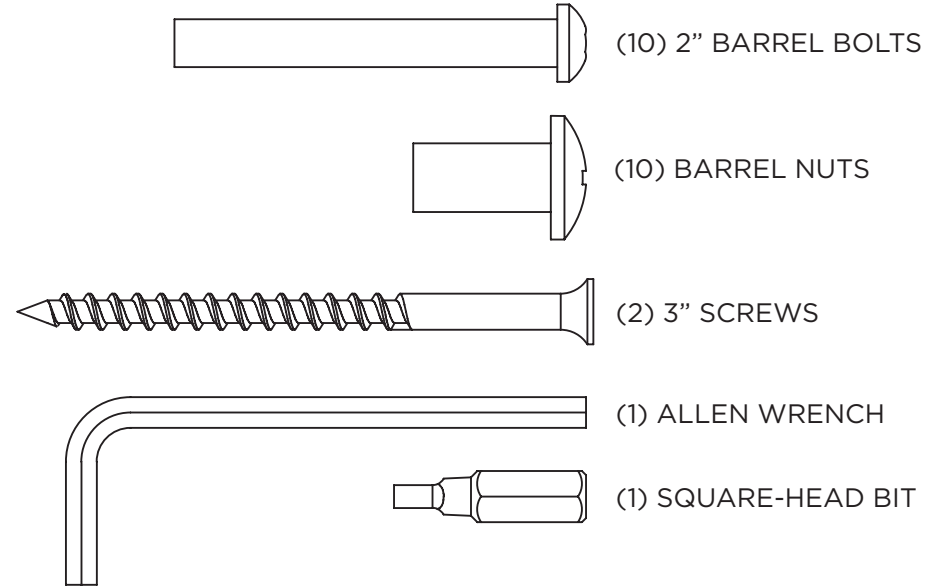
ASSEMBLY

STEP 1. Use (2) 2" barrel bolts and (2) barrel nuts to loosely attach left/right bench arms to bench back. Use (2) 3" screws to connect the front and rear legs.



HARDWARE PACK

Hardware Pack Weight: 5.9 oz.



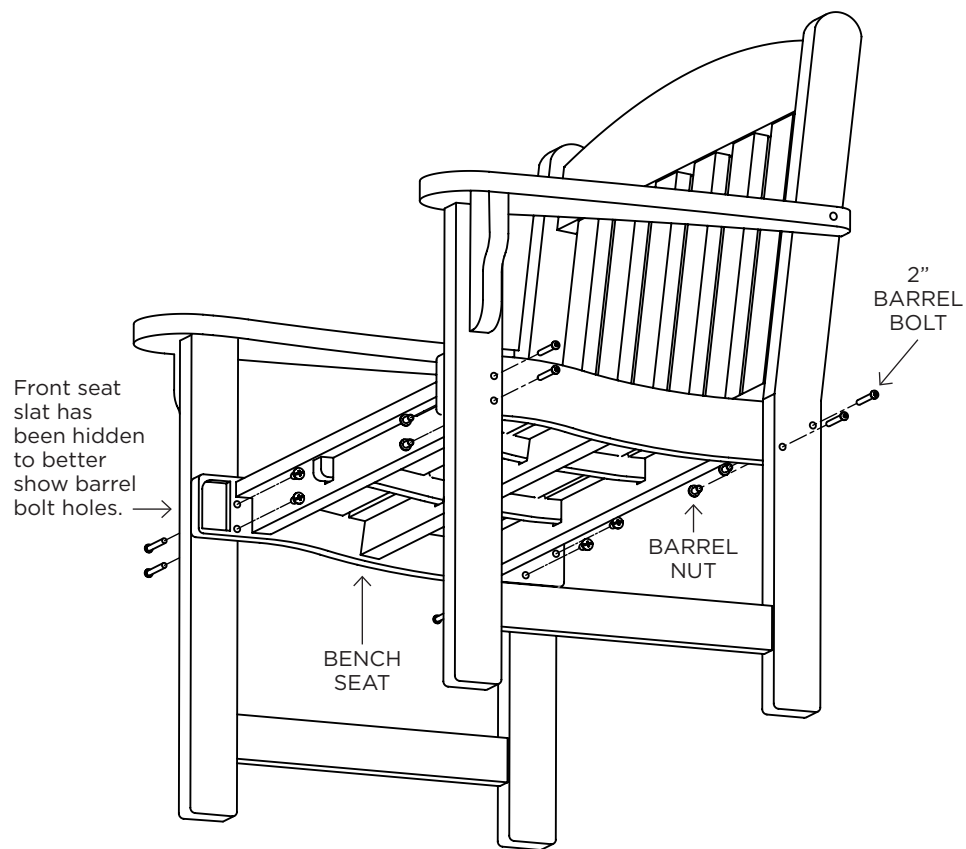
CHAIR PARTS

- BENCH BACK
- BENCH SEAT
- LEFT BENCH ARM
- RIGHT BENCH ARM

SUGGESTED TOOLS

- RUBBER MALLET
- PHILLIPS HEAD SCREWDRIVER
- DRILL

STEP 2. Use (8) 2" barrel bolts and (8) barrel nuts to attach bench seat to left/right bench arms and bench back. **Tighten all bolts.**



Congratulations on purchasing this Durawood Garden Bench. QUESTIONS REGARDING THIS PRODUCT? Call our customer service team, 252-758-0641.

RESIDENTIAL WARRANTY - This quality product includes a FULL LIFETIME WARRANTY for RESIDENTIAL CUSTOMERS. In the unlikely event any splintering, rotting, cracking, peeling, chipping, insect infestation or other damage should ever occur, The Hammock Source will replace this furniture, at no charge to you. Note that an original sales receipt must accompany any returned product, along with a Return Authorization Number from Hammock Source customer service; call toll-free at 252-758-0641.

CONTRACTOR WARRANTY - CONTRACTORS receive a FULL 7-YEAR WARRANTY. Follow the same steps outlined above.

MAINTENANCE - Periodically check bolts after assembly and re-tighten when necessary.